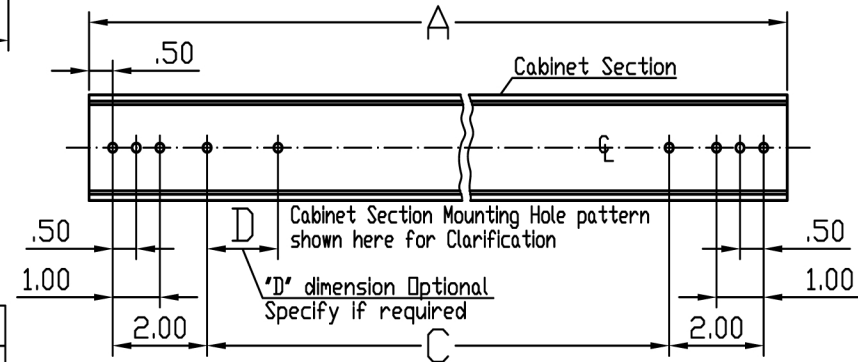
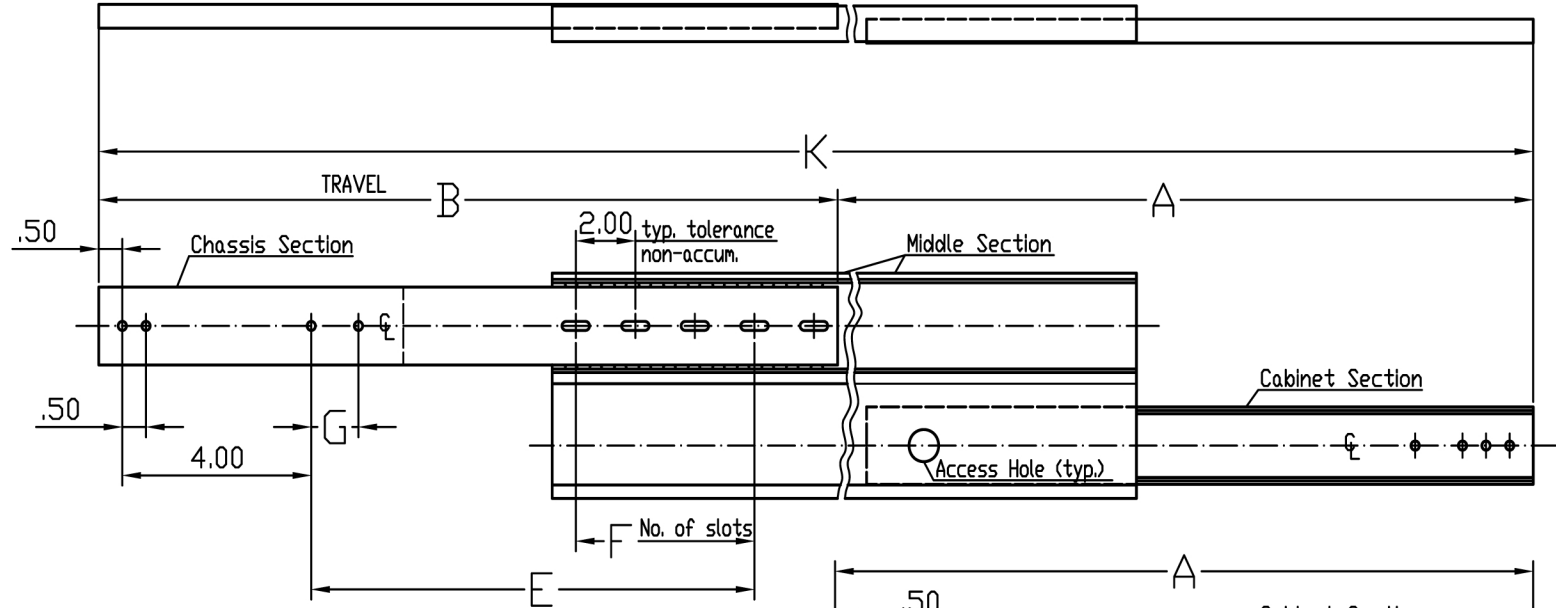
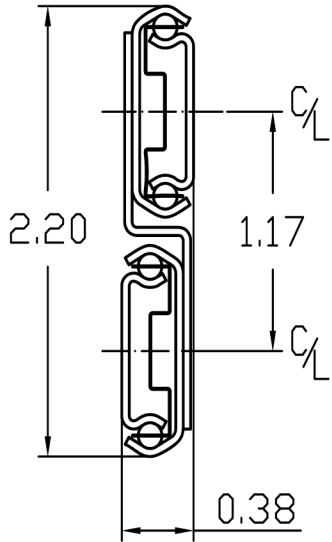


Model: 375 Series



Custom & Precision Drawer Slides
 2074 Aerotech Dr.
 Colorado Springs, CO 80916
 (719)-390-6585

SLIM TRACK 3-SECTION BALL BEARING STEEL CHASSIS SLIDES



NOTES:

1. LOAD CAPACITY: * Up to 100 lbs.
2. MATERIAL: Prime work hardened Steel.
3. HOLES: All holes .177 Dia. for № 8 Pan or Binding Head Screws.
4. Mounting Hole and Slot Location Tolerance $\pm .010$
5. BRACKETS: Front and Rear Mounting Brackets are available.
6. FINISH: Bright Electro - Zinc Plated per QQZ - 325, Type I, - Silver Color.

* Load Ratings are based on a pair of 18" Slides with Standard Extension

Any choice of combinations of lengths, engagements, mounting - hole patterns, etc., available as a STSC LLC service at a nominal cost, or, in many cases at no additional cost.

SLIDE DIMENSIONS

MODEL No.	A	B	C	D	E	F	G	K
375-10	10	11	5		4.50	1		21
375-12	12	13	7	1	6.50	1		25
375-14	14	15	9	1	8.50	2		29
375-16	16	17	11	3	10.50	2		33
375-18	18	19	13	3	12.50	3		37
375-20	20	21	15	5	14.50	3	2	41
375-22	22	23	17	5	16.50	4	2	45
375-24	24	25	19	7	18.50	4	2	49
375-26	26	27	21	7	20.50	5	2	53
375-28	28	29	23	9	22.50	5	2	57
375-30	30	31	25	9	24.50	5	2	61

Choice of Positive Locking in both directions in extended position or Stop - Out Only Stops coming OUT, but Can be pushed back into Cabinet without releasing any Catches, enabling easy entry of Chassis into Cabinet without manipulations of Catches.

When Ordering, please specify Feature needed:
 375-20-PL (positive locking when extended).
 375-20-SO (stop-out only).
 375 M (military models).
 375 FD (fast disconnect).