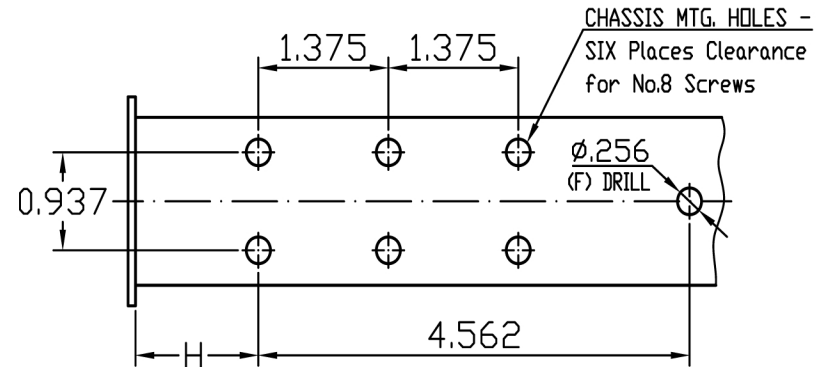
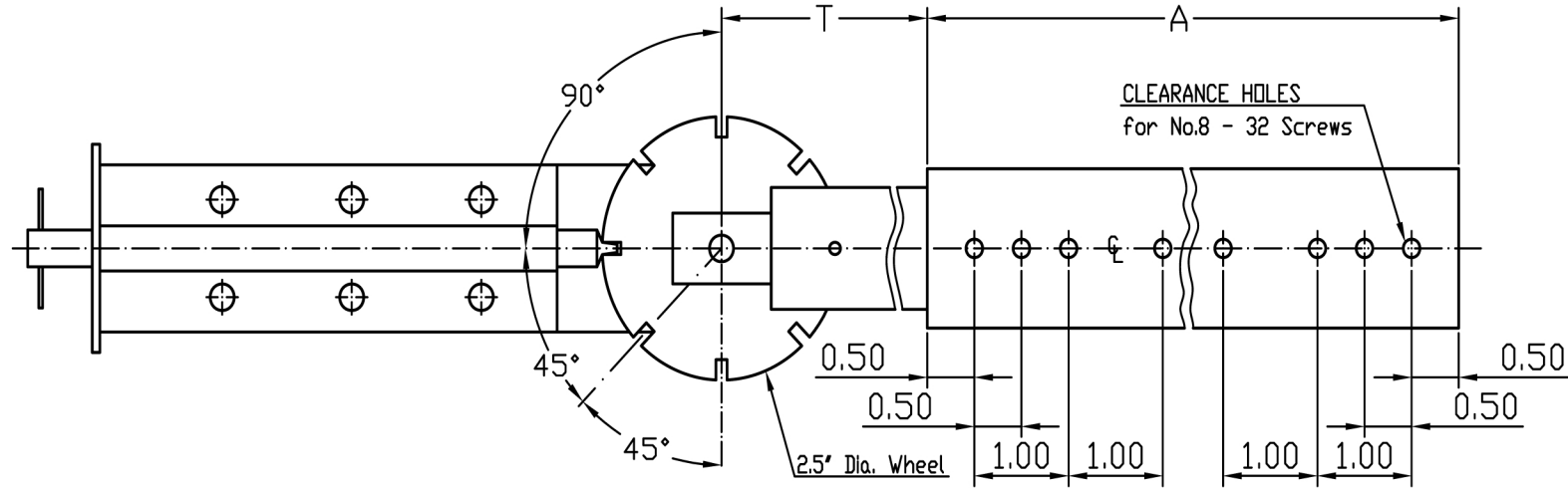
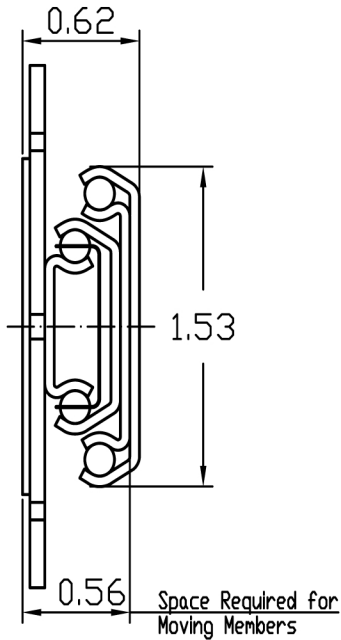


Model: ESBB-RT



Custom & Precision Drawer Slides
 2074 Aerotech Dr.
 Colorado Springs, CO 80916
 (719)-390-6585

SLIM TRACK SLIDE 3-SECTION "ROTO-TRACK" BALL BEARING STEEL SLIDE



NOTES:

1. LOAD CAPACITY: Up to 100 lbs.
2. MATERIAL: Prime work hardened Steel.
3. BRACKETS: Slides Shipped with Standard 2" Rear Mounting Brackets. If Specified, any one of the Following Size Rear Mounting Brackets will be Shipped with Slides: 4", 6", 8", 10" or 12".
4. FINISH: Molybdenum Disulphide.
5. FINISH: Bright Electro - Zinc Plated per QQZ - 325, Type I, - Silver Color.

SLIDE DIMENSIONS

MODEL No.	A	T	H _{min}	H _{max}
ESBB-RT-10	10	Check with factory	1.31	
ESBB-RT-12	12	Check with factory	1.31	
ESBB-RT-14	14	9.50	1.31	
ESBB-RT-16	16	11.50	1.31	
ESBB-RT-18	18	13.50	1.31	
ESBB-RT-20	20	15.50	1.31	
ESBB-RT-22	22	17.50	1.31	
ESBB-RT-24	24	19.50	1.31	
ESBB-RT-26	26	21.50	1.31	
ESBB-RT-28	28	23.50	1.31	
ESBB-RT-30	30	25.50	1.31	

Choice of Positive Locking in closed and/or extended position or Stop - Out Only which enables easy entry of Chassis into Cabinet without manipulations of Catches.

When Ordering, please specify Feature needed:
 ESBB-RT-20-SO (stop-out only).
 ESBB-RT-20-PL (positive locking).
 ESBB-RT-20-FD (fast disconnect).

* Load Ratings are based on a pair of 18" Slides with Standard Extension