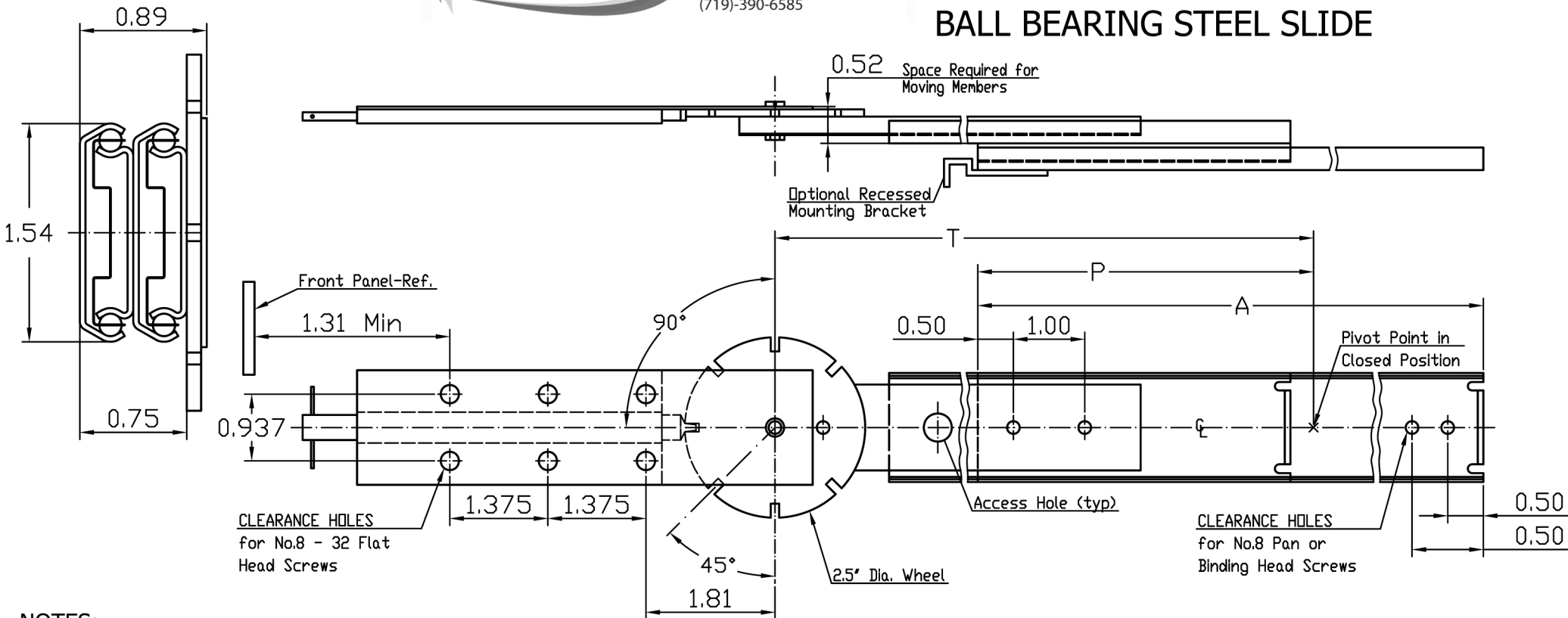


# Model: RFBB-RT



**Custom & Precision Drawer Slides**  
 2074 Aerotech Dr.  
 Colorado Springs, CO 80916  
 (719)-390-6585

## SLIM TRACK SLIDE 3-SECTION "ROTO-TRACK" BALL BEARING STEEL SLIDE



### NOTES:

- LOAD CAPACITY: to 100 lbs.  
Any Load Requirements available by stacking Vertically and/or Horizontally.
- MATERIAL: Prime work hardened Steel.
- BRACKETS: Front and Rear Mounting Brackets are available.
- FINISH: Bright Electro - Zinc Plated per QQZ - 325, Type I, - Silver Color.

\* Load Ratings are based on a pair of 18" Slides with Standard Extension

Any choice of combinations of lengths, engagements, mounting - hole patterns, etc., available as a STSC LLC service at a nominal cost, or, in many cases at no additional cost.

### SLIDE DIMENSIONS

MODEL No.	A	T	P
RFBB-RT-10	10	11	5.50
RFBB-RT-12	12	13	5.50
RFBB-RT-14	14	15	6.50
RFBB-RT-16	16	17	7.50
RFBB-RT-18	18	19	8.50
RFBB-RT-20	20	21	9.50
RFBB-RT-22	22	23	10.50
RFBB-RT-24	24	25	11.50
RFBB-RT-26	26	27	12.50
RFBB-RT-28	28	29	13.50
RFBB-RT-30	30	31	14.50

Choice of Positive Locking in closed and/or extended position or Stop - Out Only which enables easy entry of Chassis into Cabinet without manipulations of Catches.

When Ordering, please specify Feature needed:  
 RFBB-RT-20-SO (stop-out only).  
 RFBB-RT-20-PL (positive locking).  
 RFBB-RT-20-FD (fast disconnect).  
 RFBB-RT-20-M (military models).